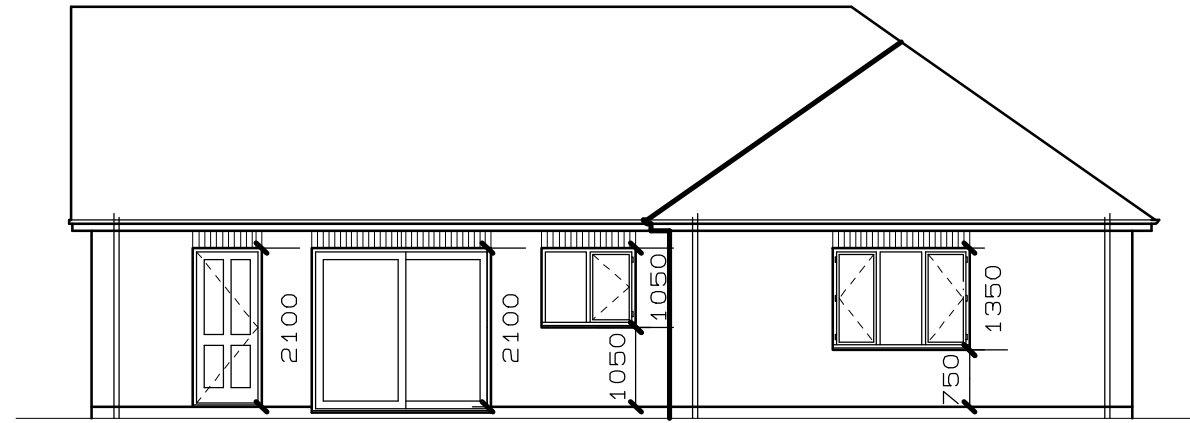
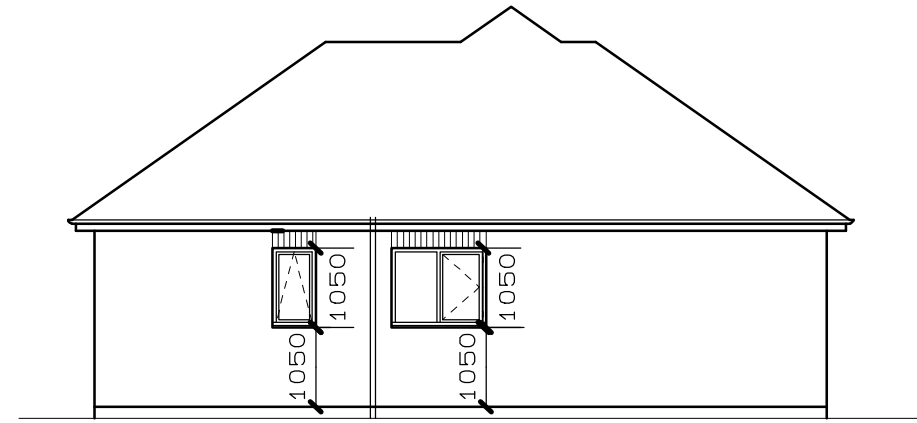


1:100 FRONT ELEVATION

1:100 SIDE ELEVATION

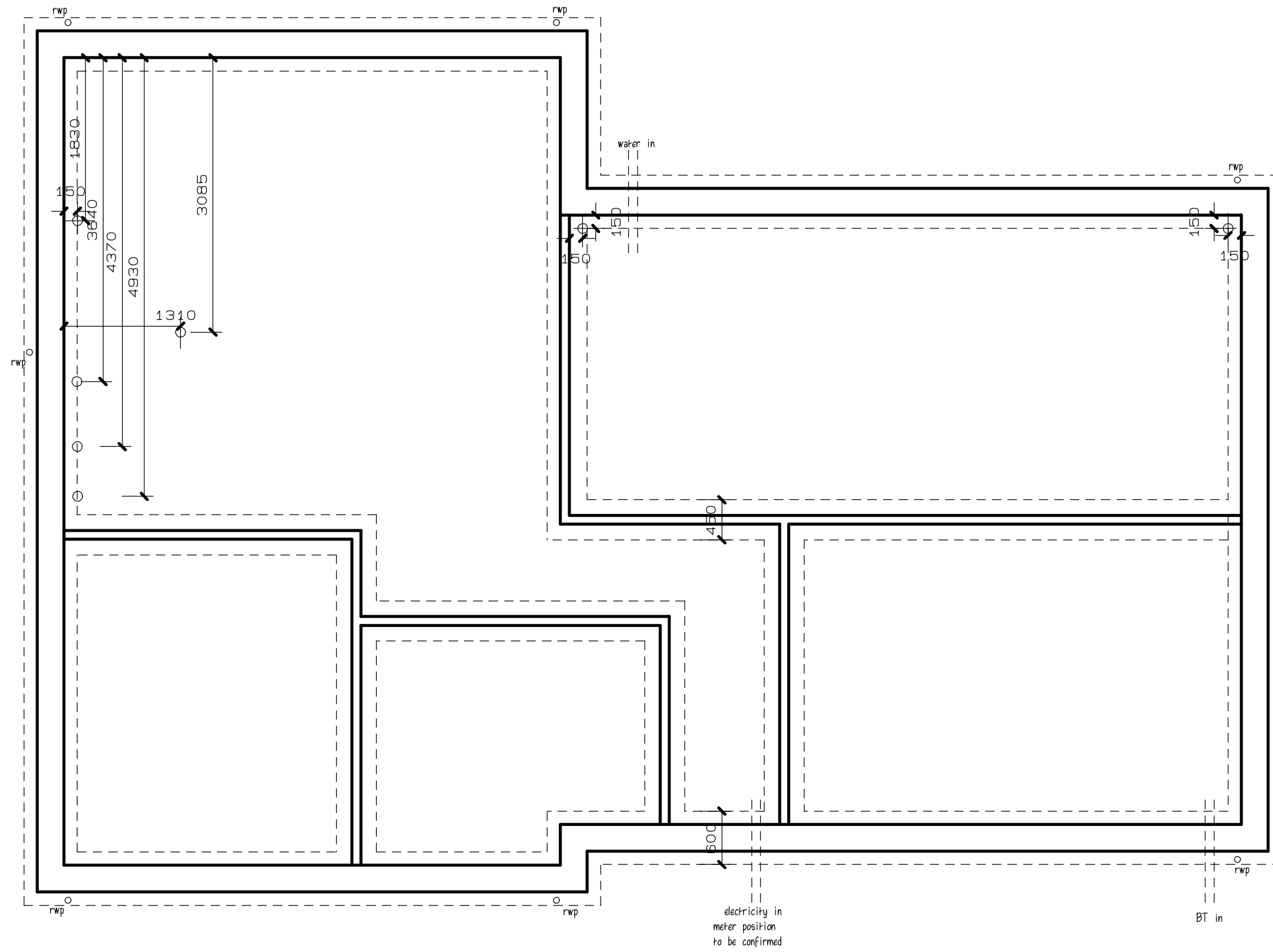


1:100 REAR ELEVATION

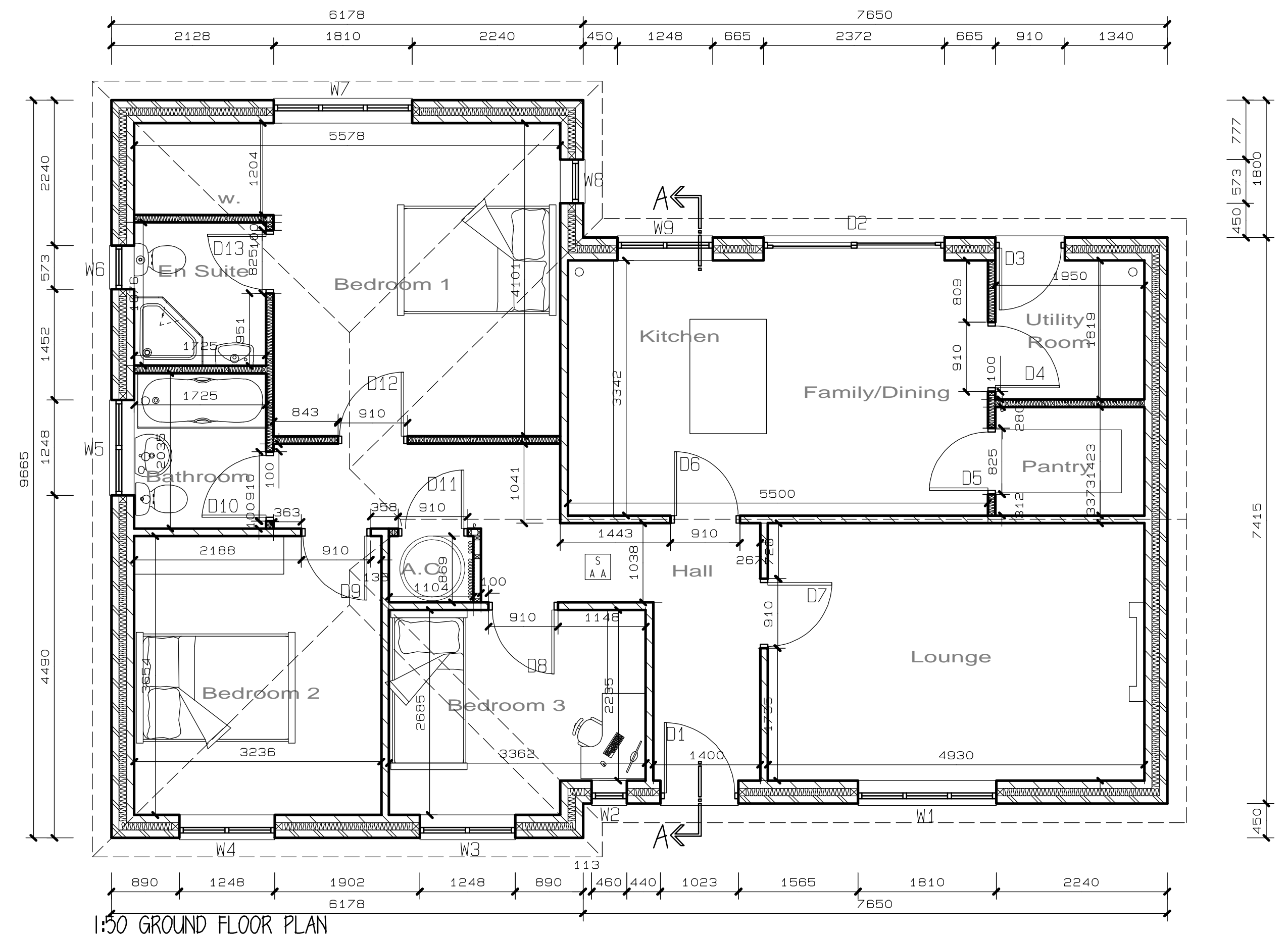


1:100 SIDE ELEVATION

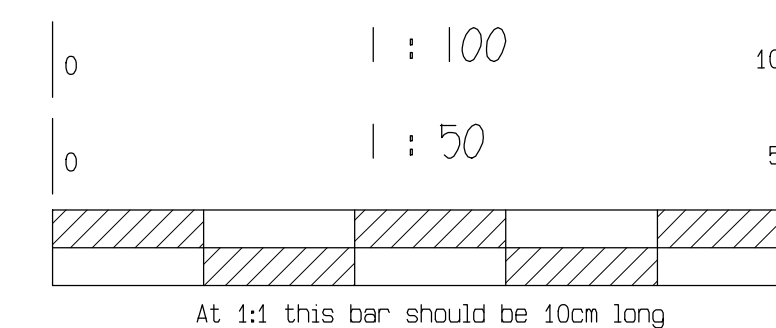
DOOR STRUCTURAL OPENINGS			WINDOW STRUCTURAL OPENINGS		
DOOR REF:	DIMENSIONS:	FIRE DOOR:	WINDOW REF:	DIMENSIONS:	ESCAPE WINDOW:
D01	1023mm x 2100mm	No to all	W01	1810mm x 1350mm	No to all
D02	2372mm x 2100mm		W02	460mm x 900mm	
D03	910mm x 2100mm		W03	1248mm x 1200mm	
D04	910mm x 2100mm		W04	1248mm x 1200mm	
D05	825mm x 2100mm		W05	1248mm x 1050mm	
D06	910mm x 2100mm		W06	573mm x 1050mm	
D07	910mm x 2100mm		W07	1810mm x 1350mm	
D08	910mm x 2100mm		W08	573mm x 1050mm	
D09	910mm x 2100mm		W09	1248mm x 1050mm	
D10	910mm x 2100mm				
D11	910mm x 2100mm				
D12	910mm x 2100mm				
D13	825mm x 2100mm				



1:50 FOUNDATION PLAN



1:50 GROUND FLOOR PLAN



11 NEW BUNGALOWS, WILLOW LANE, STANION  
FOR ASPECTS  
DWELLING B(L) SETTING OUT - (PLOT 1&2)

Drawn by : dk	Drawing No. :	Created On :	Page :
Checked by : rjc	126-B(L)-01	11-03-20	9/28
Drawing status for client approval	Scale :	as noted	A1
Rev (date)		by	

**K.A.D**  
Kelsall Architectural Design Ltd.  
Dugdale House 25/27 Dugdale Street  
Nuneaton CV11 5GJ  
Tel: 07545 954197  
Email: kelsall.dan@hotmail.co.uk

NB - ANY CHANGES TO THE PROPOSALS MUST BE FIRST AGREED WITH BOTH THE ARCHITECT AND BUILDING CONTROL. ALL WORKS AND SPECIFICATIONS TO COMPLY WITH THE NECESSARY BUILDING REGULATIONS AND BRITISH STANDARDS. SPECIFIED PRODUCTS TO BE INSTALLED IN ACCORDANCE WITH MANUFACTURERS RECOMMENDATIONS. THESE DRAWINGS ARE TO BE USED FOR THE PURPOSE OF OBTAINING BUILDING REGULATIONS APPROVAL AND SHOULD NOT BE CONSIDERED FULL CONSTRUCTION OR PRODUCTION DRAWINGS. THESE DRAWINGS, THE DESIGN AND ALL INTELLECTUAL PROPERTY REMAIN THE COPYRIGHT OF KELSALL ARCHITECTURAL DESIGN. ANY ATTEMPT TO COPY OR USE THESE DRAWINGS OTHER THAN FOR THE PURPOSE THEY WERE INTENDED IS PROHIBITED WITHOUT FIRST OBTAINING WRITTEN PERMISSION. ALL DIMENSIONS TO BE CHECKED ON SITE PRIOR TO WORKS COMMENCING SHOULD ANY DISCREPANCIES BE DISCOVERED THE ARCHITECT IS TO BE NOTICED IMMEDIATELY.