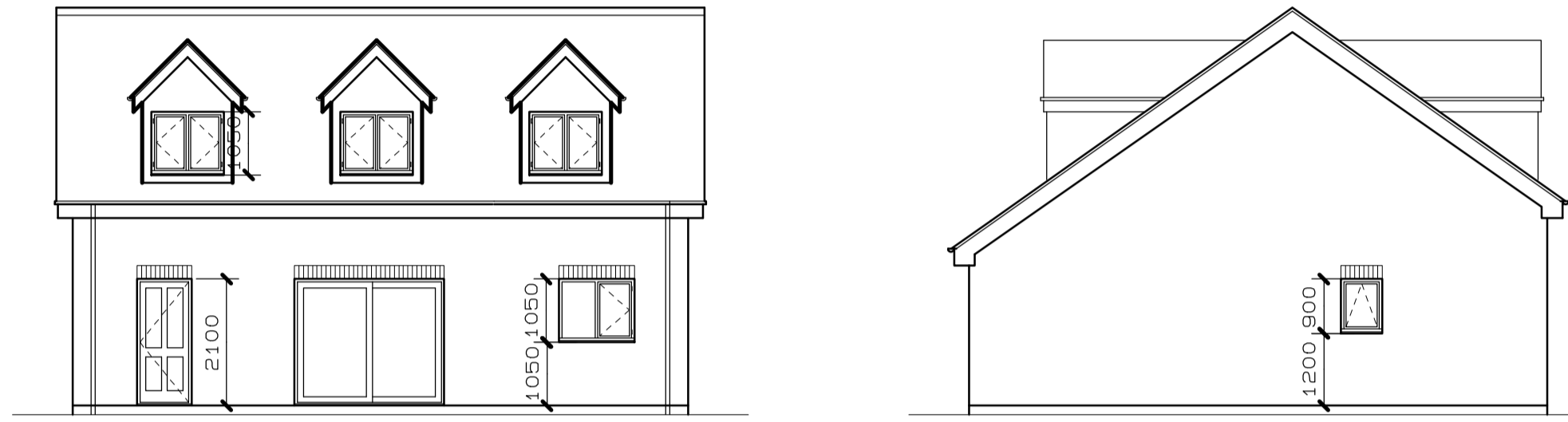


1:100 FRONT ELEVATION

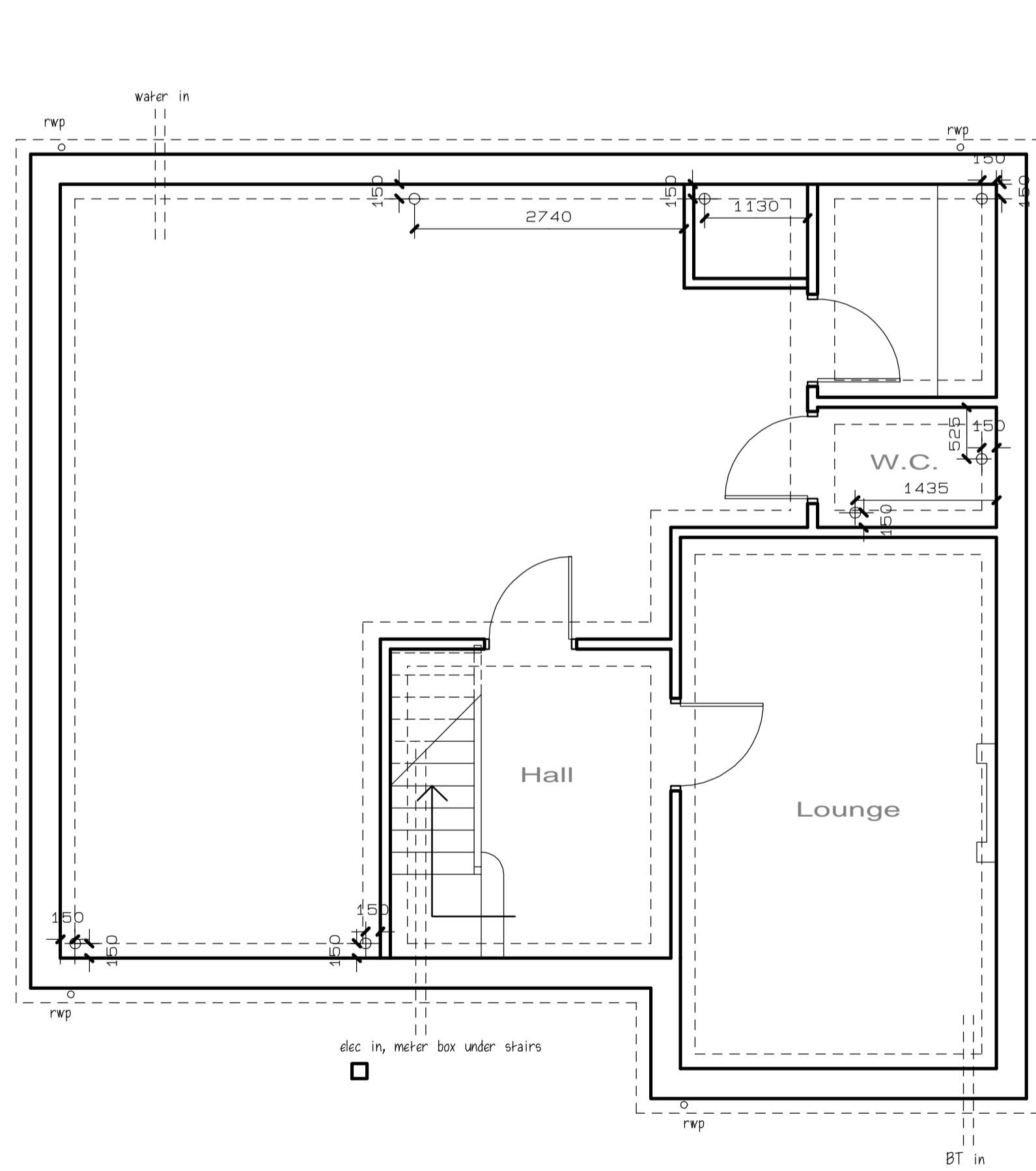
1:100 SIDE ELEVATION



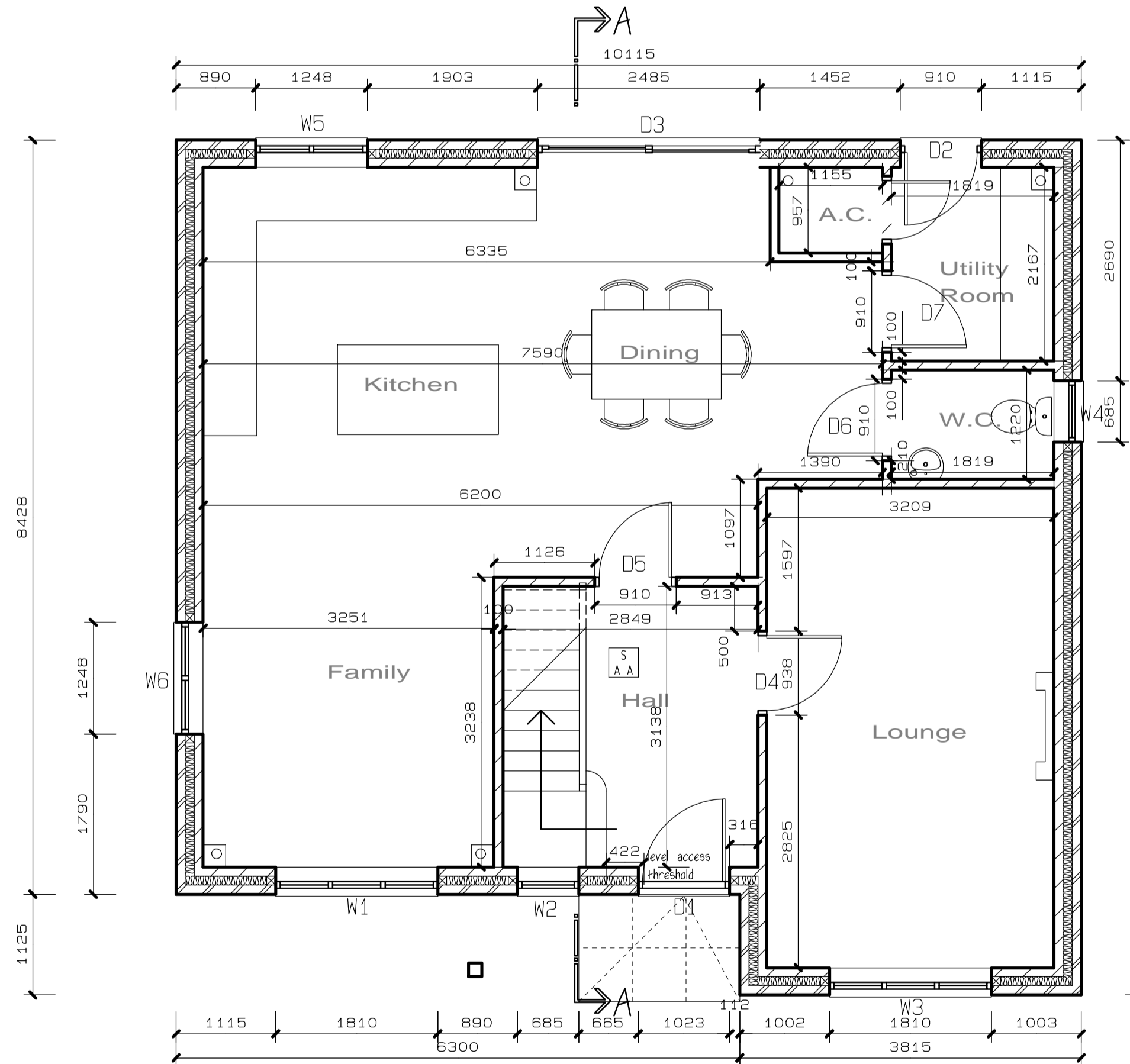
1:100 REAR ELEVATION

1:100 SIDE ELEVATION

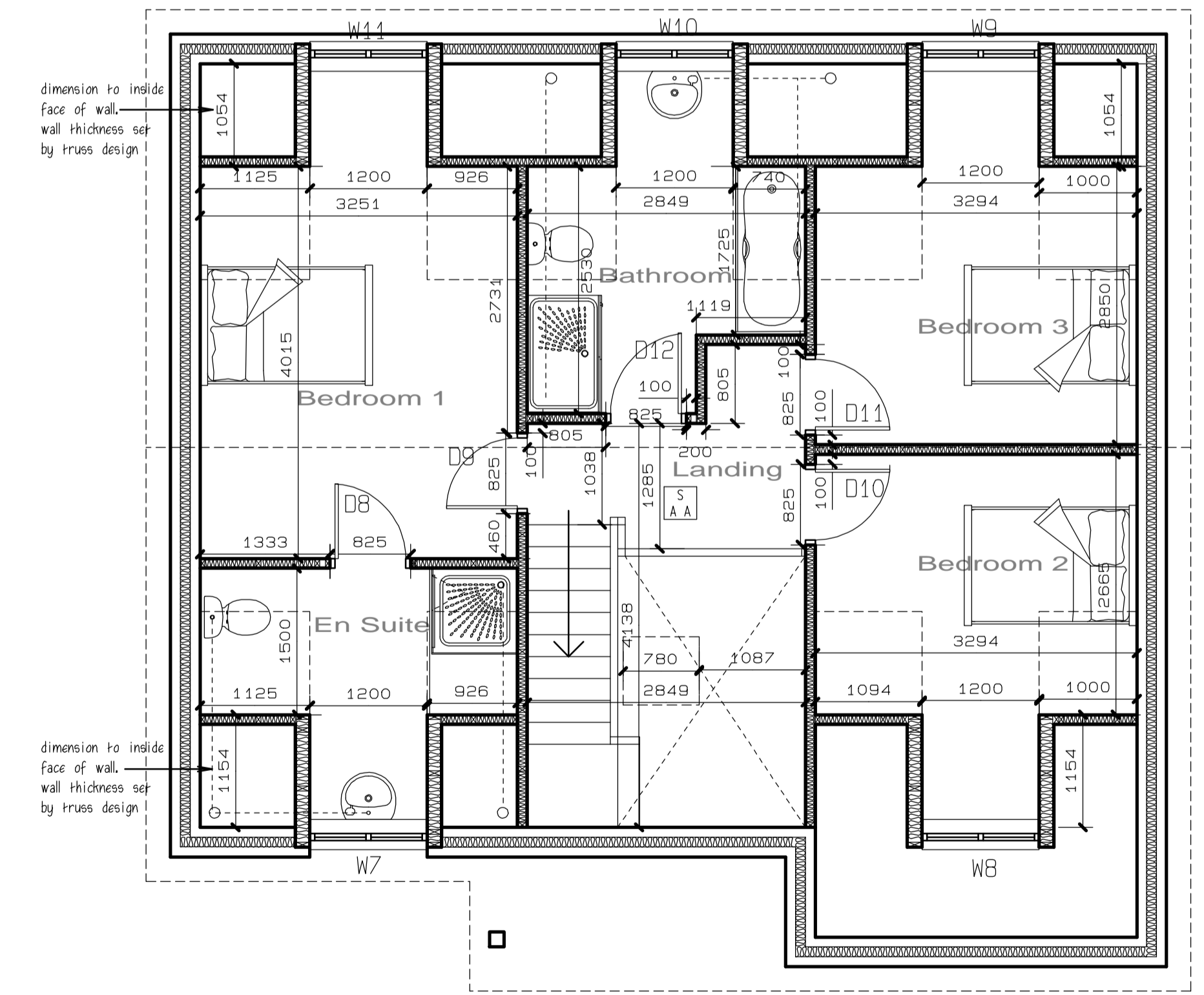
DOOR STRUCTURAL OPENINGS			WINDOW STRUCTURAL OPENINGS		
DOOR REF:	DIMENSIONS:	FIRE DOOR:	WINDOW REF:	DIMENSIONS:	ESCAPE WINDOW:
D01	1023mm x 2100mm	No to all	W01	1810mm x 1200mm	No to all
D02	910mm x 2100mm		W02	685mm x 900mm	
D03	2485mm x 2100mm		W03	1810mm x 1200mm	
D04	910mm x 2100mm		W04	685mm x 900mm	
D05	910mm x 2100mm		W05	1248mm x 1050mm	
D06	910mm x 2100mm		W06	1248mm x 1200mm	
D07	910mm x 2100mm		W07	1200mm x 1050mm	
D08	825mm x 2100mm		W08	1200mm x 1050mm	
D09	825mm x 2100mm		W09	1200mm x 1050mm	
D10	825mm x 2100mm		W10	1200mm x 1050mm	
D11	825mm x 2100mm		W11	1200mm x 1050mm	
D12	825mm x 2100mm				



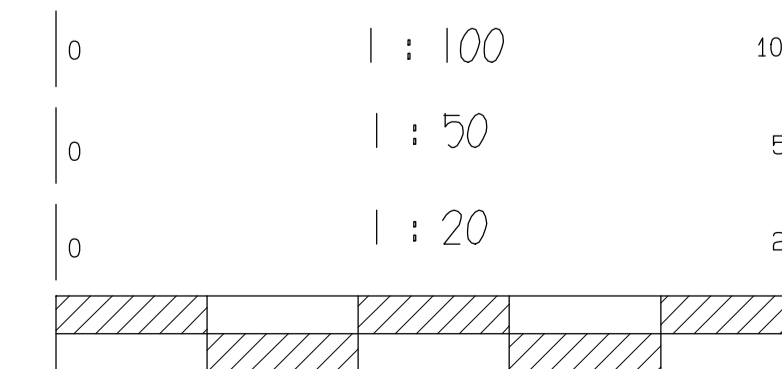
1:50 FOUNDATION PLAN



1:50 GROUND FLOOR PLAN



1:50 FIRST FLOOR PLAN



11 NEW BUNGALOWS, WILLOW LANE, STANION
FOR ASPECTS
DWELLING A(R) SETTING OUT - (PLOTS 3,5&7)

Drawn by : djk	Drawing No. :	Created On :	Page
Checked by : rjc	126-A(R)-01	11-03-20	8/28
Drawing status for client approval	Scale :	as noted	A1
rev	date	by	

K.A.D
Kelsall Architectural Design Ltd.
Dugdale House 25/27 Dugdale Street
Nuneaton CV11 5GJ
Tel: 07545 954197
Email: kelsall.dan@hotmail.co.uk

NB - ANY CHANGES TO THE PROPOSALS MUST BE FIRST AGREED WITH BOTH THE ARCHITECT AND BUILDING CONTROL. ALL WORKS AND SPECIFICATIONS TO COMPLY WITH THE NECESSARY BUILDING REGULATIONS AND BRITISH STANDARDS. SPECIFIED PRODUCTS TO BE INSTALLED IN ACCORDANCE WITH MANUFACTURERS RECOMMENDATIONS. THESE DRAWINGS ARE TO BE USED FOR THE PURPOSE OF OBTAINING BUILDING REGULATIONS APPROVAL AND SHOULD NOT BE CONSIDERED FULL CONSTRUCTION OR PRODUCTION DRAWINGS. THESE DRAWINGS, THE DESIGN AND ALL INTELLECTUAL PROPERTY REMAIN THE COPYRIGHT OF KELSALL ARCHITECTURAL DESIGN. ANY ATTEMPT TO COPY OR USE THESE DRAWINGS OTHER THAN FOR THE PURPOSE THEY WERE INTENDED IS PROHIBITED WITHOUT FIRST OBTAINING WRITTEN PERMISSION. ALL DIMENSIONS TO BE CHECKED ON SITE PRIOR TO WORKS COMMENCING SHOULD ANY DISCREPANCIES BE DISCOVERED THE ARCHITECT IS TO BE NOTIFIED IMMEDIATELY.